

TOUCH ART DIMMER SWITCH

(T18 310)

Technical Manual



DESCRIPTION:

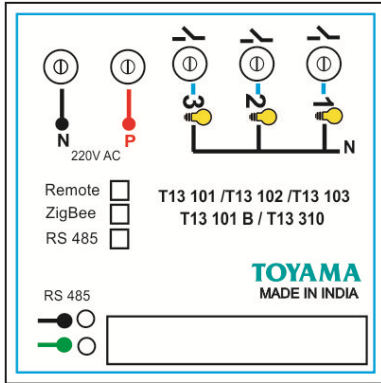
Toyama Touch Art switches are intelligent control devices that provides convenient and comfort to the user. Usage of SMD components not only ensures reliability but also makes the product highly compact for its functionality and features. The use of SMPS (Switch Mode Power supply) makes the Touch Art switches operational across countries from North America having 127V supply to European/Asian countries having 230V supply without any field setting. The various functions can be performed from the wall unit or hand held IR remote. Option is available for the switches to operate with home gateway through Wireless Zigbee protocol or wired RS485/232 interface for Automation.

TECHNICAL DATA:

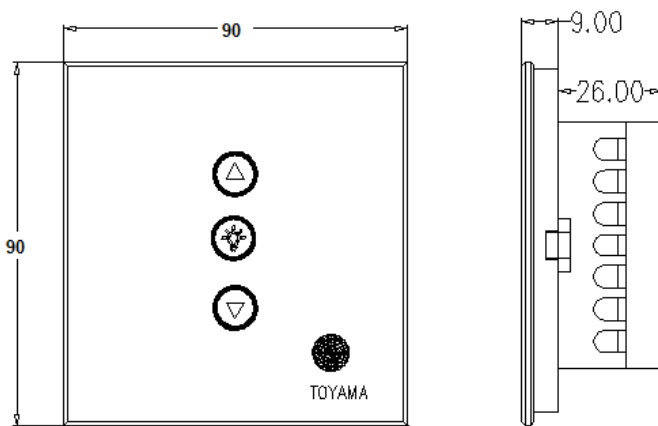
- Power Source : 90-270V/AC
- Power Frequency : 50-60Hz
- Number of Dimming Zone : 1
- Load per Dimming zone : GLS bulbs 200W
Halogen lamps 100W
One Fan
- Remote Operating range : 25 Feet
- Operating Temperature : -10 to +55 °C
- Standby power Consumption : <10mW

WIRING DIAGRAM:

TOYAMA CONTROLS & SYSTEM PVT LTD
36A, KIADB Industrial Estate, Hoskote, Bangalore – 562114
Ph: +91 9341810636 | Fax: +91 80 27971749
wizhom@toyamaindia.com | www.toyamaindia.com



MECHANICAL DIMENSIONS:



Note: Suitable For:

- Mounting metal box for the device - 2 Module (75mmX75mmX50mm)
- Use 1.5 Sq.mm flexible wires for Phase, Neutral & Load connections.

Safety Warnings:

- If the input voltage increases to 440V the device will burn.
- Each on/off circuit is rated to 200W **resistive** load only. If the load is greater than the specification the device will be damaged and will no longer functions.
- If it is LED or CFL fittings connect one or two only per circuit. Anything more may weld the switch contacts and leave the loads permanently ON.
- Each dimmer circuit is below 120W Fan only.
- If a direct short is created on the output /load, the device will be damaged and will no longer functions.

Standard Warranty:

Toyama offers a standard 12 months limited warranty on all the Touch Art switches