

Touch Art Bell Switch
ZigBee Wireless
(T13 101B Z)
Technical Manual



Product Overview:

Toyama Touch Art switches are intelligent control devices that provides convenient and comfort to the user. Usage of SMD components not only ensures reliability but also makes the product highly compact for its functionality and features. The use of SMPS (Switch Mode Power supply) makes the Touch Art switches operational across countries from North America having 127V supply to European/Asian countries having 230V supply without any field setting. The various functions can be performed from the wall unit or hand held IR remote. Zigbee Wireless switches to operate with Toyama home gateway through Wireless Zigbee Protocol for Automation.

Technical Specification:

- Power Source : 90-270V/AC
- Power Frequency : 50-60Hz
- Number of Zones : 1
- Operating Temperature : -10 to +55 °C
- Standby power Consumption : <10mW

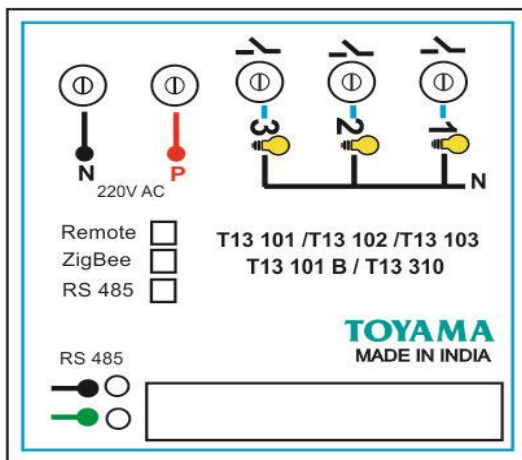
ZigBee:

- Frequency : 2.4GHz
- Protocol : ZigBee HA1.2
- TX strength : +20dBm
- Range : 50 ft Open
- Network : Mesh topology

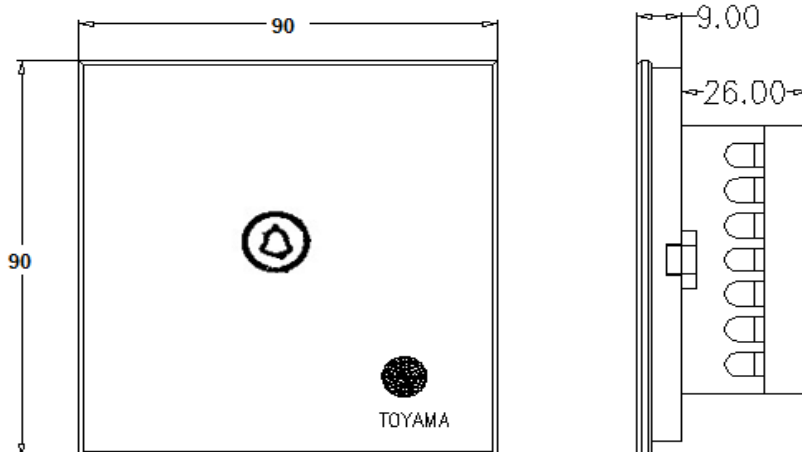
Key ZigBee Features:

- Built-in power amplifier for exceptional range giving the module superior range and stability in large homes or areas with wireless interference.
- Easy compatibility with other manufacturers' ZigBee Gateway/controller
- LED indicator for live Network
- LED indicators for on/off status.

Wiring Diagram:



Dimensions:



Note: Suitable For

- Mounting on 2 module metal box (75mmX75mmX50mm)
- Use 1.5 Sq.mm flexible wires for Phase, Neutral & Load connections.

Safety Warnings:

- If the input voltage increases to 440V the device will burn.
- Each on/off circuit is rated to 1A **resistive** load only. If the load is greater than the specification the device will be damaged and will no longer functions.
- If a direct short is created on the output, the device will be damaged and will no longer functions.

Standard Warranty:

- Toyama offers a standard 12 months limited warranty on all the Touch Art switches.